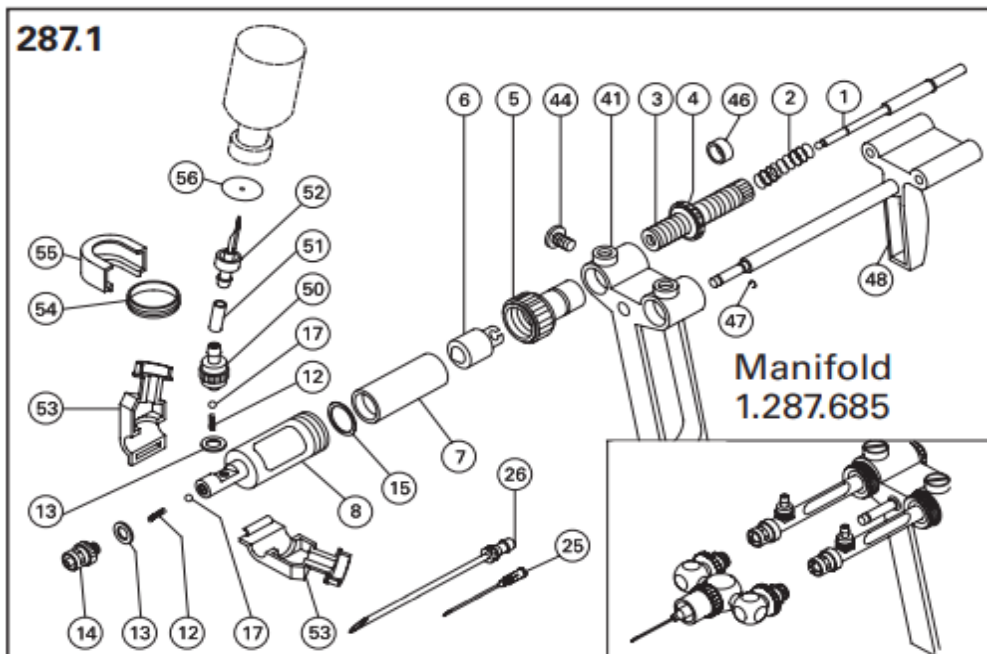
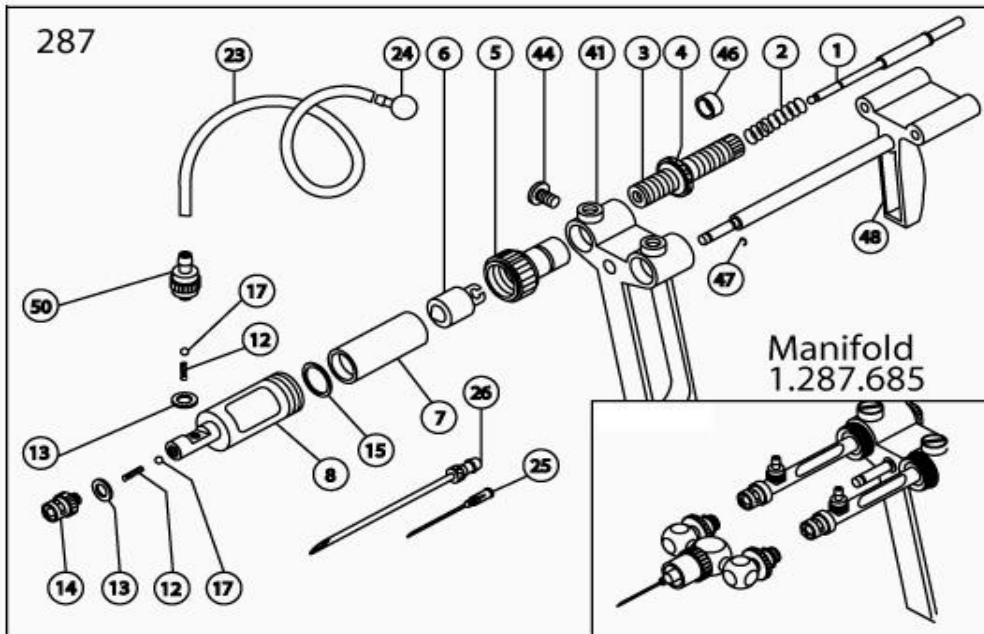


## Spare-parts for self-refilling syringes 287

### Exploded drawing



Draw ref.	Cat. No.	Description	Comment	Nominal size
<b>Spare parts for self-refilling syringe 287</b>				
<b># 01</b>	287.970	Plunger rod	Short rod as of serial No. 13021001	0.3 / 0.5 mL
	287.971			1 mL
	287.978	Plunger rod	Short rod as of serial No. 13021001	2 mL
	287.973			5 mL
<b># 02</b>	187.751	Spring, rod		0.3 to 1 mL
	832.751			2 mL
	832.752			5 mL

# 03	187.961	Socket (incl. part 46)		0.3 to 1 mL		
	187.962			2 mL		
	187.963			5 mL		
# 04	187.551	Front nut		0.3 to 1 mL		
	187.552			2 mL		
	187.553			5 mL		
# 05	187.520	Cap		0.3 / 0.5 mL		
	187.521			1 mL		
	187.522			2 mL		
	187.523			5 mL		
# 06	187.584	Plunger, piston	Stainless steel	0.3 mL		
	187.585			0.5 mL		
	187.586			1 mL		
	187.587			2 mL		
	187.588			5 mL		
# 07	0187.003	Barrel (6 pces)	Glass	0.3 mL		
	0187.005			0.5 mL		
	0187.01			1 mL		
	0187.02			2 mL		
	0187.05			5 mL		
# 08	187.502	Casing	Chrome plated brass	0.3 / 0.5 mL		
	187.503			1 mL		
	187.505			2 mL		
	187.507			5 mL		
# 12	187.980	Spring valve (10 pces)	<i>Available as a set</i>	0.3 mL		
	187.981			0.5 to 5 mL		
# 13	187.921	Washer, PTFE, (10 pces)	<i>Available as a set</i>			
# 14	705.010	Outlet nozzle valve, Luer Lock	Chrome plated brass			
# 15	187.928	Washer (10 pces)	<i>Available as a set</i>	FPM		
	187.924			0.3 / 0.5 mL		
	187.925			1 mL		
	187.926			2 mL		
# 17	187.991	Valve ball (10 pces)	<i>Available as a set</i>			
	# 23			187.705	Feed tubing	1 meter / pk
				187.910		10 meter / pk
	187.710	by the meter				
# 24	187.596	Sinker	Chrome plated brass			
# 25	187.933	Vent cannula (10 pces)	Plastic			
# 26	187.592	Feed needle	Chrome plated brass			
# 41	287.560	Handle, blue				
# 44	187.701	Screw				
# 46	187.711	Sleeve, PTFE		0.3 to 1 mL		
	187.712			2 mL		
	187.713			5 mL		
# 47	287.931	Clip for hand piece (10 pces)				
# 48	287.940	Hand piece, blue (incl. part 47)		0.3 / 0.5 mL		
	287.941			1 mL		
	287.942			2 mL		
	287.943			5 mL		
# 50	187.959	Intake valve	Chrome plated brass	0.3 to 1 mL		
	187.960		Wide hole size, as of serial No. 13021001	2 / 5 mL		
# 51	188.903	Connecting tube for vial holder model, silicone (10 pces)				

---

# 52	188.952	Intake needle (incl. part 51)
# 53	187.950	Vial holder (2 faces), blue
# 54	188.513	Ring, vial holder
# 55	187.740	Lock, vial holder, blue
# 56	1.187.745	Tightness rubber washer, Ø 20 mm (10 pcs)

---